

D

C

B

A

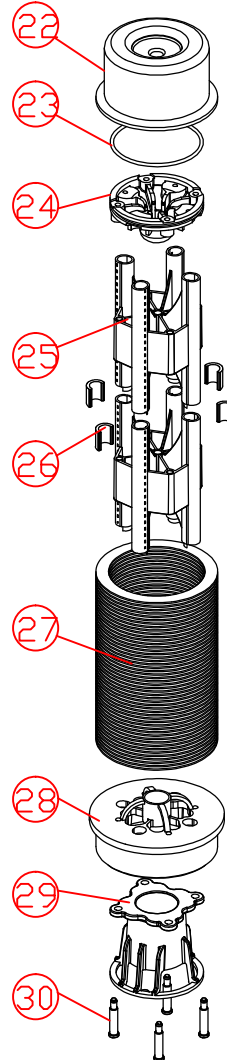
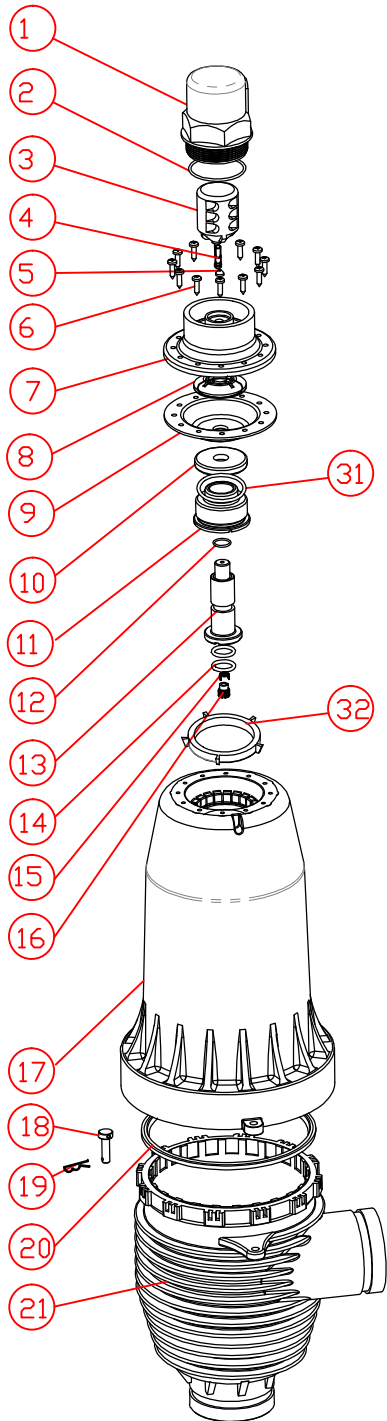
1

2

3

4

5



1

2

3

4

5

6

6

2 INCH DISC FILTER UNIT
EXPLODED DRAWING
(10 μ m)



NUMBERS	DESCRIPTION OF CHANGES	SIGNATURE	DATE

REVISION	QUANTITY	WEIGHT	SCALE
01	/	/	/
UNREMARKED TOLERANCES	/	/	/
MATERIAL GRADE	/	/	/

SHEET 1 OF 2


D

C

B

A

		D	C	B	A
1					
2					
3					
4					
5					
6					
32	ADAPTOR		1	PA6+GF	1132122
31	O-RING		1	EPDM	1122014
30	PIN		4	PA6+GF	1132051
29	CHECK VALVE		1	PP	1132118
28	FILTER CARTRIDGE BASE		1	PA6+GF	1132060
27	DISC		274	PP (BLUE)	1132073
26	ADAPTOR		4	PA6+GF	1132065
25	FILTER CARTRIDGE SKELETON		2	PA6+GF	1132010
24	FILTER CARTRIDGE COVER		1	PA6+GF	1132012
23	O-RING		1	EPDM	1122010
22	FILTER CARTRIDGE CAP		1	PA6+GF	1132013
21	FILTER UNIT BASE		1	PA6+GF	1132001
20	SEALING RING		1	EPDM	1132064
19	PIN		1	SS304	1122011
18	PIN		1	SS304	1132003
17	FILTER UNIT CAP		1	PA6+GF	1122002
16	PLUG NUT		1	PVC	1132035
15	STRAINER		1	PA	1132069
14	O-RING		2	EPDM	5244285
13	SHAFT		1	PA6+GF	1132125
12	O-RING		1	EPDM	5214518
11	SHAFT GUIDE		1	POM	1132014
10	LWR DIAPH. PLATE		1	PA6+GF	1132068
9	DIAPHRAGM		1	BUNA	1132020
8	UPR DIAPH. PLATE		1	PA6+GF	1132021
7	DIAPH. CAP		1	PA6+GF	1132005
6	TAPPING SCREW		12	SS316	1122013
5	SEAL		1	NBR	1132120
4	NUT		1	PA6+GF	1132070
3	FLOATER		1	PP	1132071
2	O-RING		1	EPDM	1122008
1	EXHAUST VALVE CAP		1	PC	1132027
NO.	DESCRIPTION	QTY.	MATERIAL	PART NO.	

				2 INCH DISC FILTER UNIT EXPLODED DRAWING (10 µ m)						
				REVISION	QUANTITY	WEIGHT	SCALE			
				01	/	/	/			
				UNREMARKED TOLERANCES	/	SHEET 2 OF 2				
					/					
					MATERIAL GRADE	/				
						/				

		D	C	B	A
--	--	---	---	---	---