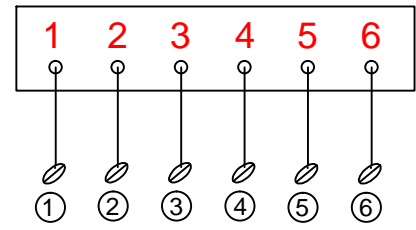
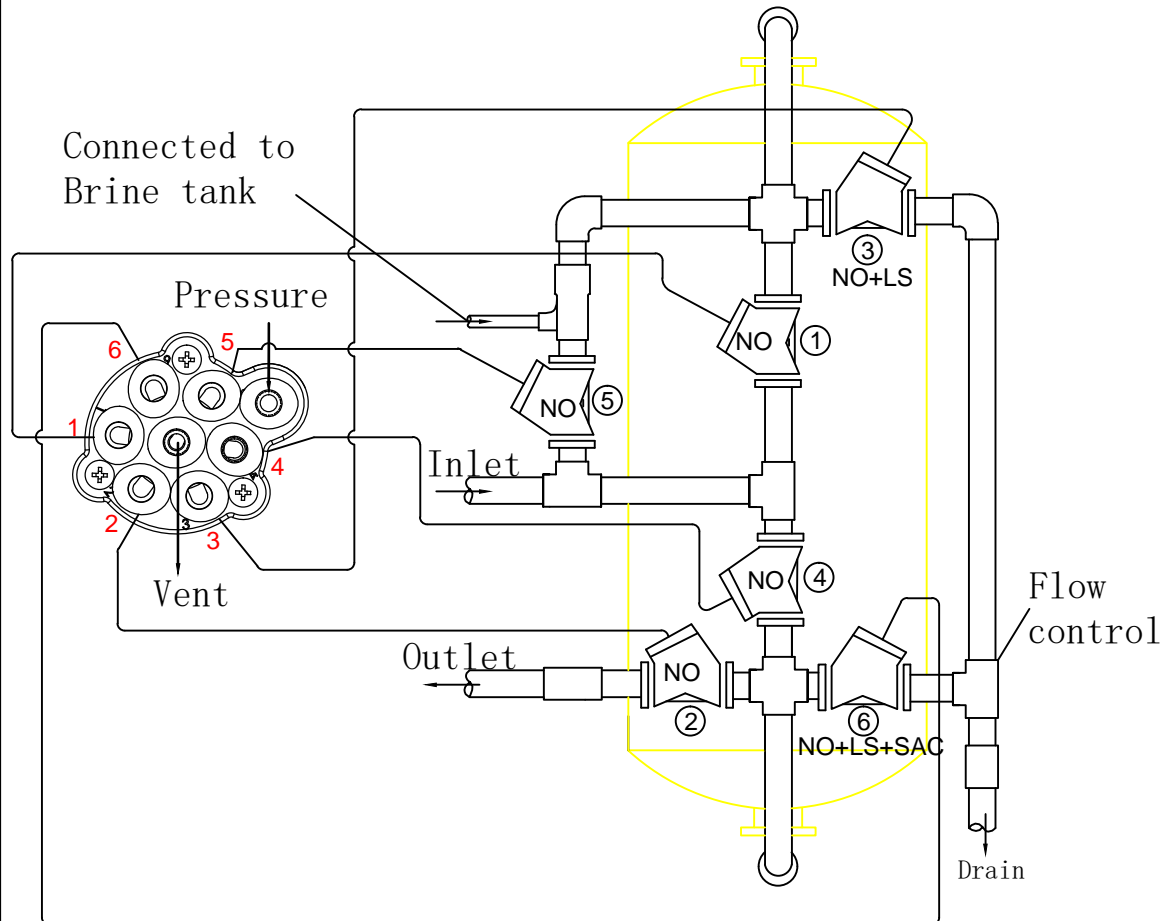


STAGER SOFTENER APPLICATION



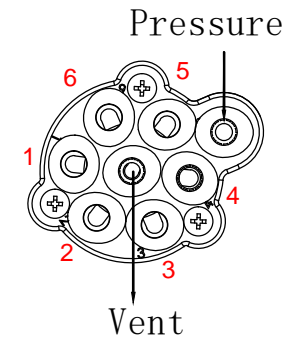
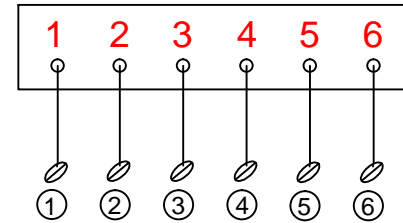
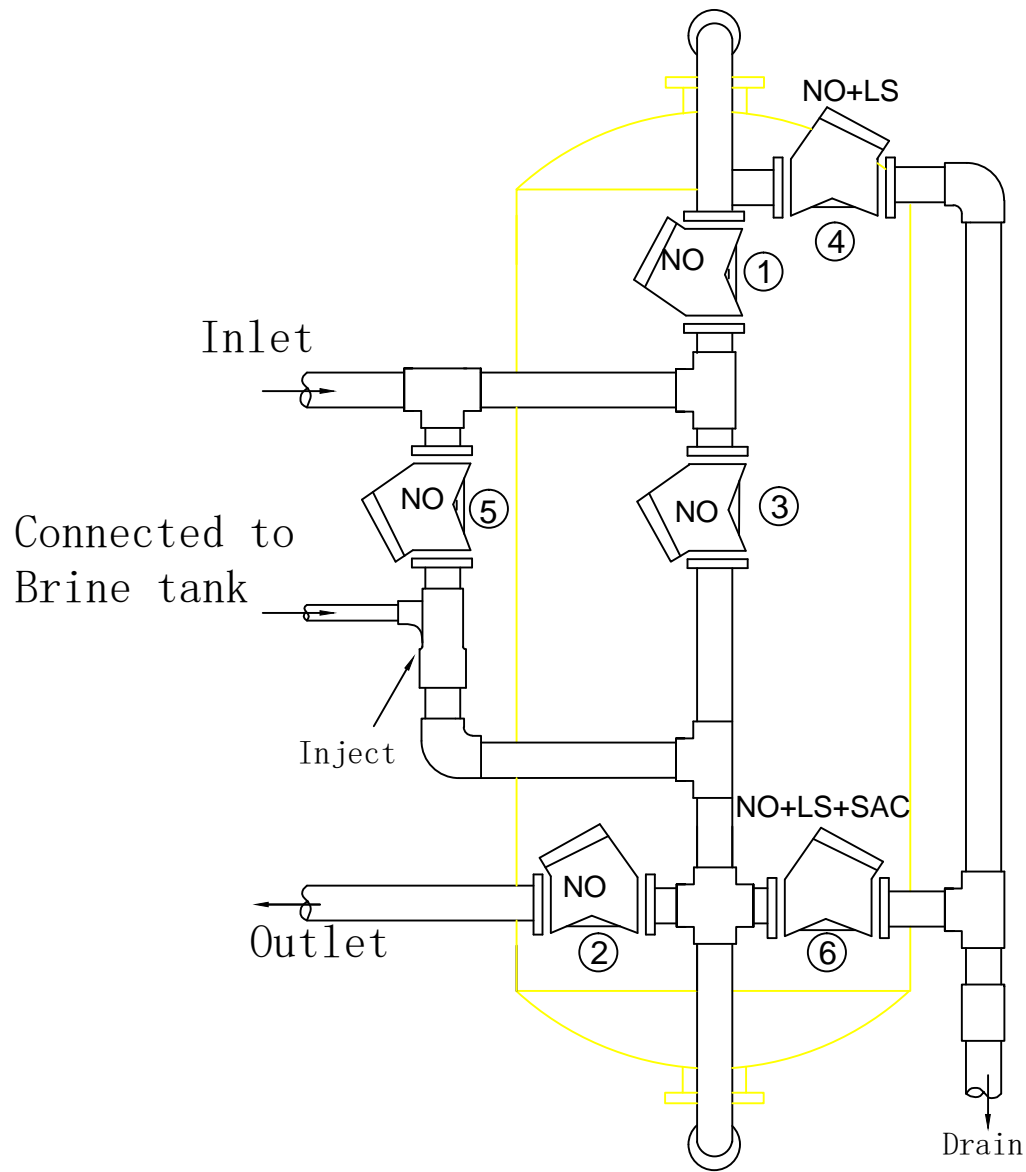


NOTCH	POS	Function	Valve Open
A	4	Service	1,2
B			
C	1	Backwash	3,4
D			
E	2	Brine+ Slow Backwash	5,6
F	3	Rinse	1,6

workmanship: 48-502
Softener, Co-current



RESPONS: Eric-Yang
REVISION: 04
UNITS:
DATE: 09/26/2016



NOTCH	POS	Function	Valve Open
A	4	Service	1,2
B			
C	1	Backwash	3,4
D	2	Brine+ Slow Backwash	4,5
E			
F	3	Rinse	1,6

workmanship: 48-505
Softener, counter-current



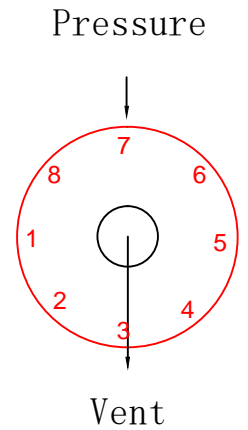
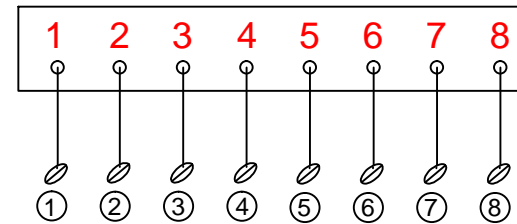
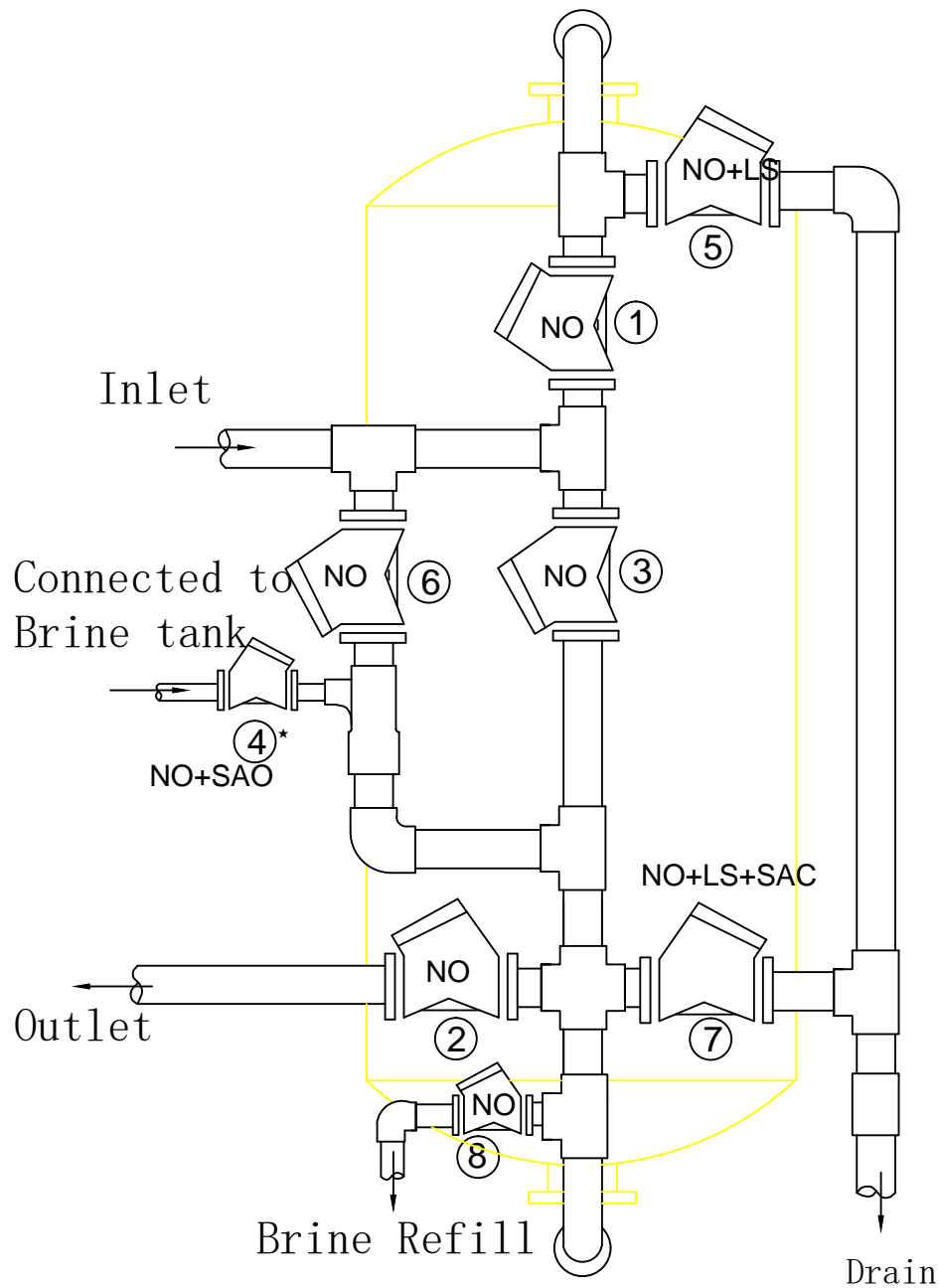
Jkmatic

RESPONS: Eric-Yang

REVISION: 04

UNITS:

DATE: 09/26/2016



NOTCH	POS	Function	Valve Open
A	6	Service	1,2
B			
C	1	Backwash	3,5
D	2	Brine	4, 5,6
E	3	Slow Backwash	5,6
F			
G	4	Rinse	1,7
H	5	Service+Brine Refill	1,2,8

* 4#: Spring-assist Open Diaphragm Valve

Note: With salt-absorption valve, and water injection valve

workmanship: 51-520
 Softener, counter-current, with salt-absorption valve and water injection valve



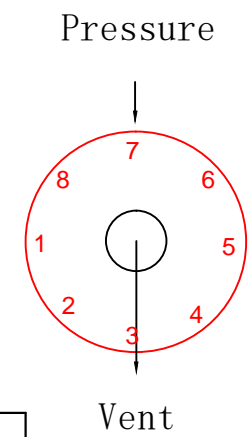
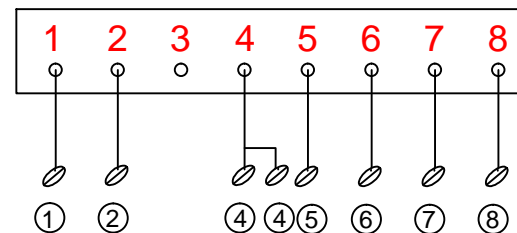
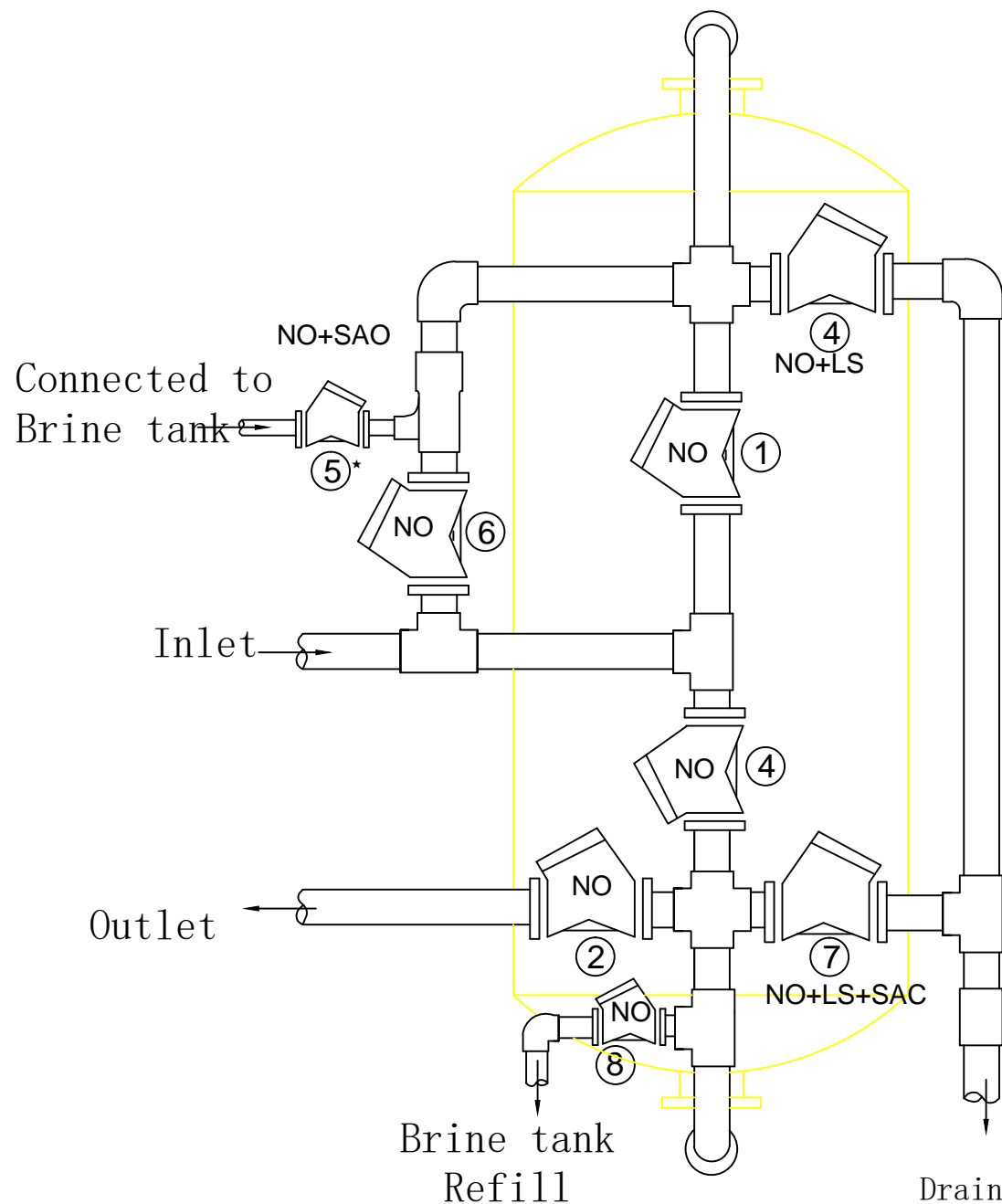
JKmatic

RESPONS: Eric-Yang

REVISION: 04

UNITS:

DATE: 09/26/2016



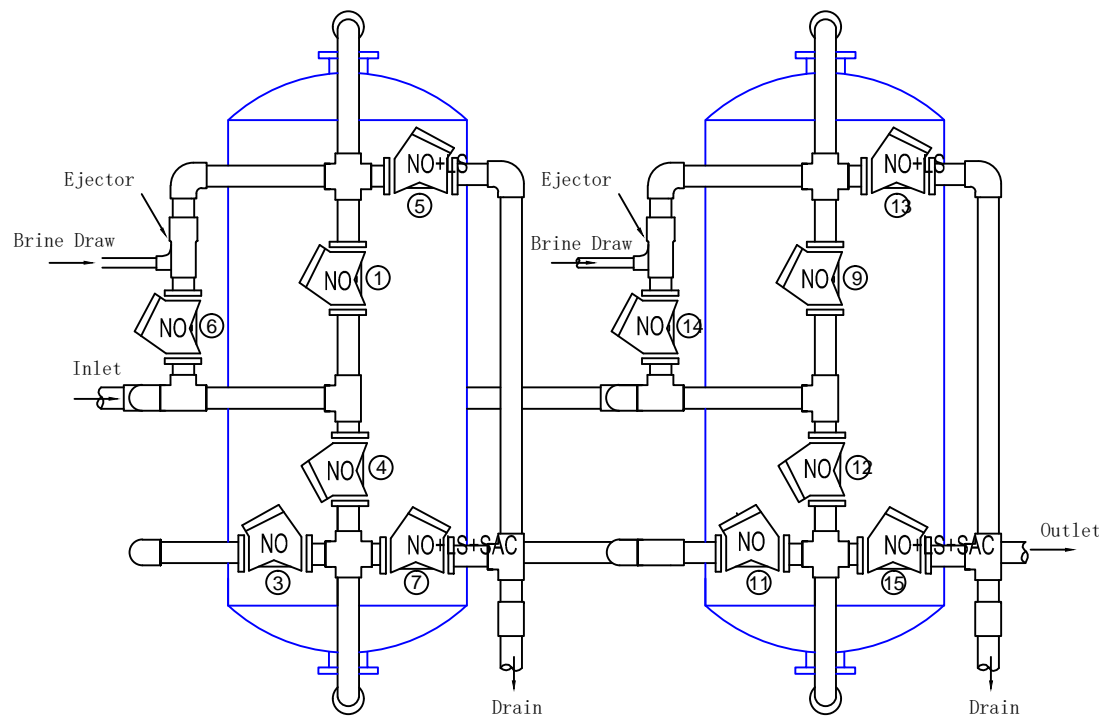
NOTCH	POS	Function	ValveOpen
A	6	Service	1.2
B			
C	1	Backwash	4
D			
E	2	Brine	5.6.7
F	3	Slow Backwash	6.7
G	4	Rinse	1.7
H	5	Service+ Brine tank Refill	1.2.8

* 5#: Spring-assist Open Diaphragm Valve

Note: With salt-absorption valve, and water injection valve.

workmanship: 51-524
Softener, Co-current, with salt-absorption valve, and water injection valve

	RESPONS: Eric-Yang
	REVISION: 04
	UNITS:
	DATE: 09/26/2016



NOTCH	POS.	FUNCTION	VENTING	OPENED VALVE
A	16	A Service B Standby	1.3.9	1.3.9
B	1			
C	2			
D	3			
E	4	A Backwash B Service	4.5.9.11	4.5.9.11
F	5			
G	6	A Brine+Rinse B Service	6.7.9.11	6.7.9.11
H	7	A Rinse B Service	1.7.9.11	1.7.9.11
I	8	B Service A Standby	1.9.11	1.9.11
J	9			
K	10			
L	11			
M	12	B Backwash A Service	1.3.12.13	1.3.12.13
N	13			
O	14	B Brine+Rinse A Service	1.3.14.15	1.3.14.15
P	15	B Rinse A Service	1.3.9.15	1.3.9.15

Workmanship: 58-554
Softener, Co-current, One work one standby



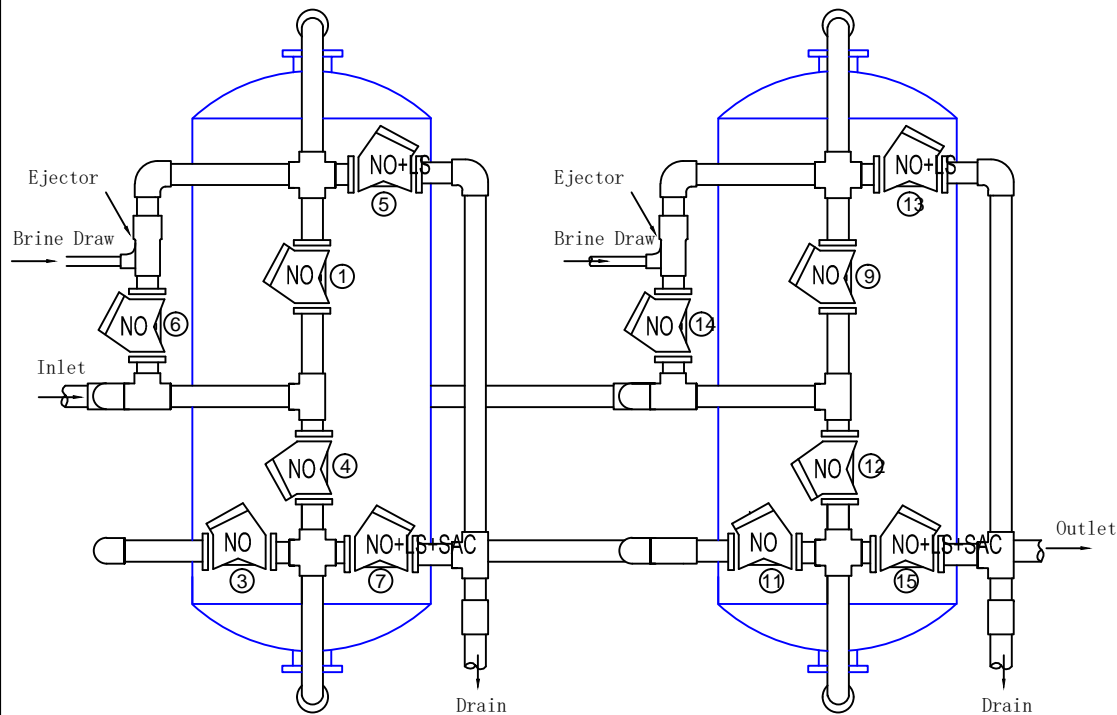
Jkmatic

RESPONS: Eric-Yang

REVISION: 01

UNITS:

DATE: 10/24/2017



NOTCH	POS.	FUNCTION	VENTING	OPENED VALVE
A	16	AB Service	1.3.9.11	1.3.9.11
B	1			
C	2			
D	3	A Backwash B Service	4.5.9.11	4.5.9.11
E	4			
F	5	A Brine+Rinse B Service	6.7.9.11	6.7.9.11
G	6	A Rinse B Service	1.7.9.11	1.7.9.11
H	7			
I	8			
J	9			
K	10			
L	11	A Service B Backwash	1.3.12.13	1.3.12.13
M	12			
N	13	B Brine+Rinse A Service	1.3.14.15	1.3.14.15
O	14	B Rinse A Service	1.3.9.15	1.3.9.15
P	15			

Workmanship: 58-555
 Softener, Co-current, Regeneration Alternatively
 (Apply to salt removing)



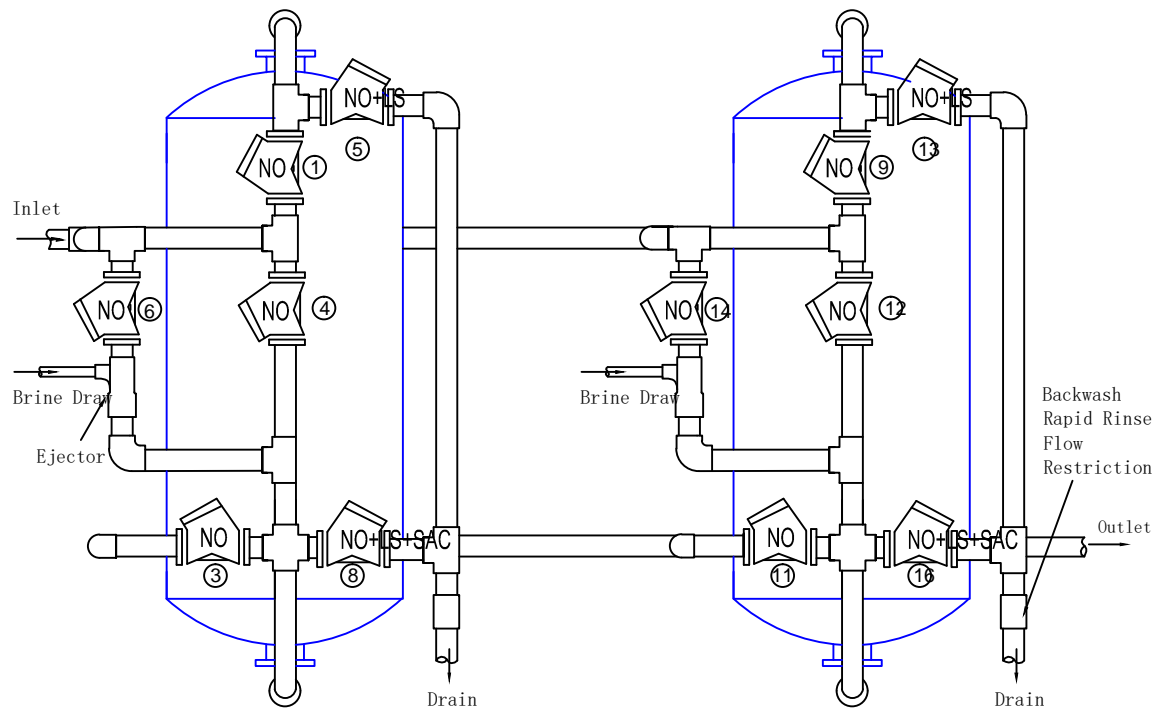
JKmatic

RESPONS: Eric-Yang

REVISION: 01

UNITS:

DATE: 10/24/2017



NOTCH	POS.	FUNCTION	VENTING	OPENED VALVE
A	16	A Service B Standby	1.3.9	1.3.9
B	1			
C	2			
D	3	A Backwash B Service	4.5.9.11	4.5.9.11
E	4	A Brine+Rinse B Service	5.6.9.11	5.6.9.11
F	5			
G	6			
H	7	A Rinse B Service	1.8.9.11	1.8.9.11
I	8	B Service A Standby	1.9.11	1.9.11
J	9			
K	10			
L	11	B Backwash A Service	1.3.12.13	1.3.12.13
M	12	B Brine+Rinse A Service	1.3.13.14	1.3.13.14
N	13			
O	14			
P	15	B Rinse A Service	1.3.9.16	1.3.9.16

Workmanship: 58-556
Softener, Counter-current, One work one standby



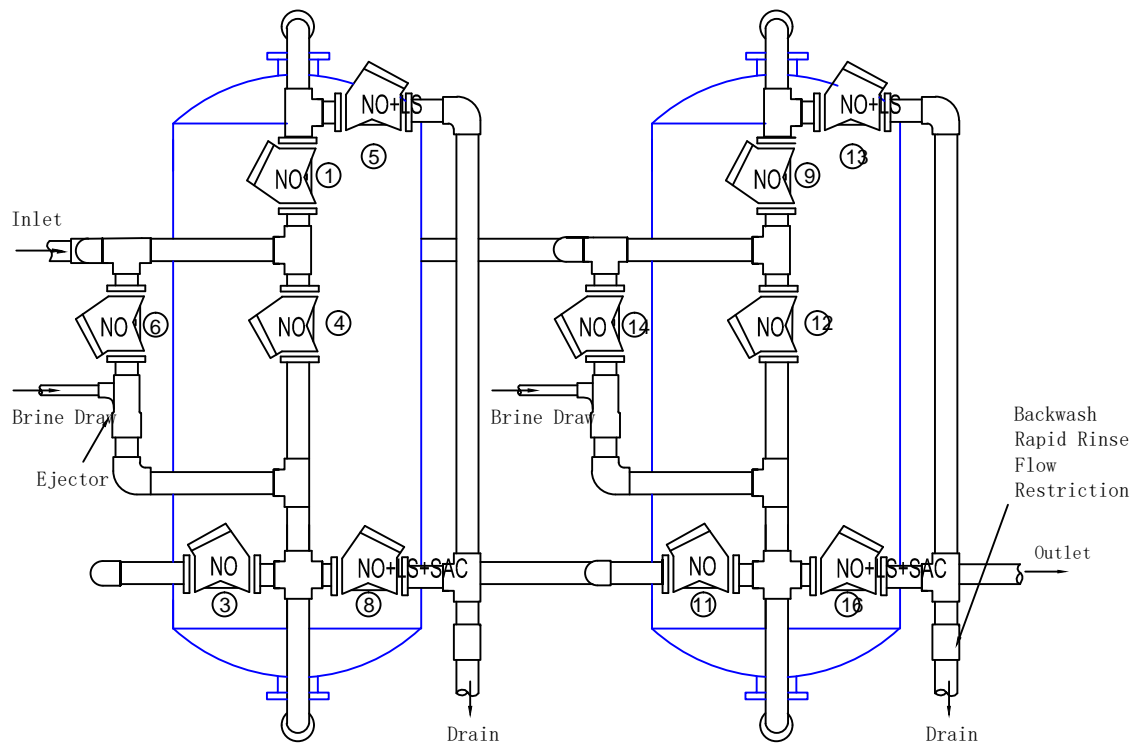
JKmatic

RESPONS: Eric-Yang

REVISION: 01

UNITS:

DATE: 10/24/2017



NOTCH	POS.	FUNCTION	VENTING	OPENED VALVE
A	16	AB Service	1.3.9.11	1.3.9.11
B	1			
C	2			
D	3	A Backwash B Service	4.5.9.11	4.5.9.11
E	4	A Brine+Rinse B Service	5.6.9.11	5.6.9.11
F	5			
G	6			
H	7	A Rinse B Service	1.8.9.11	1.8.9.11
I	8			
J	9			
K	10			
L	11	B Backwash A Service	1.3.12.13	1.3.12.13
M	12	B Brine+Rinse A Service	1.3.13.14	1.3.13.14
N	13			
O	14			
P	15	B Rinse A Service	1.3.9.16	1.3.9.16

Workmanship: 58-557
Softener, Counter-current, Regeneration
Alternatively



Jkmatic

RESPONS: Eric-Yang

REVISION: 01

UNITS:

DATE: 03/07/2017