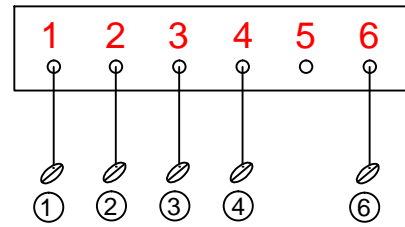
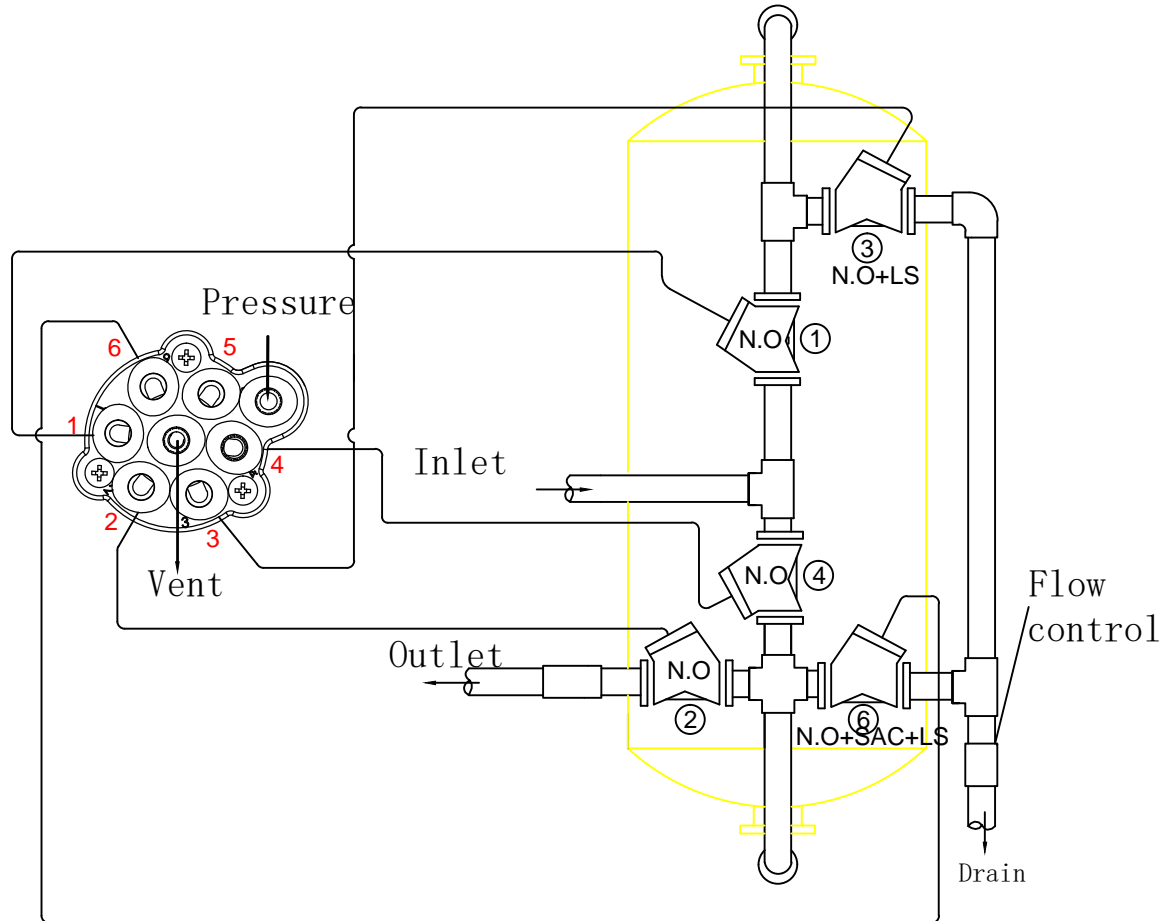


STAGER FILTRATION APPLICATION



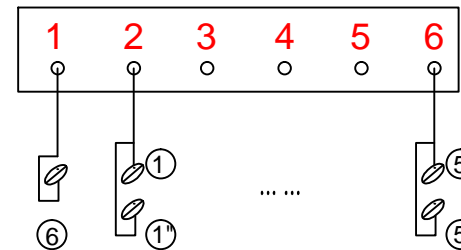
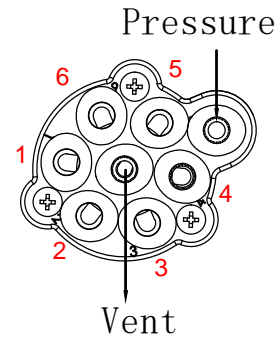
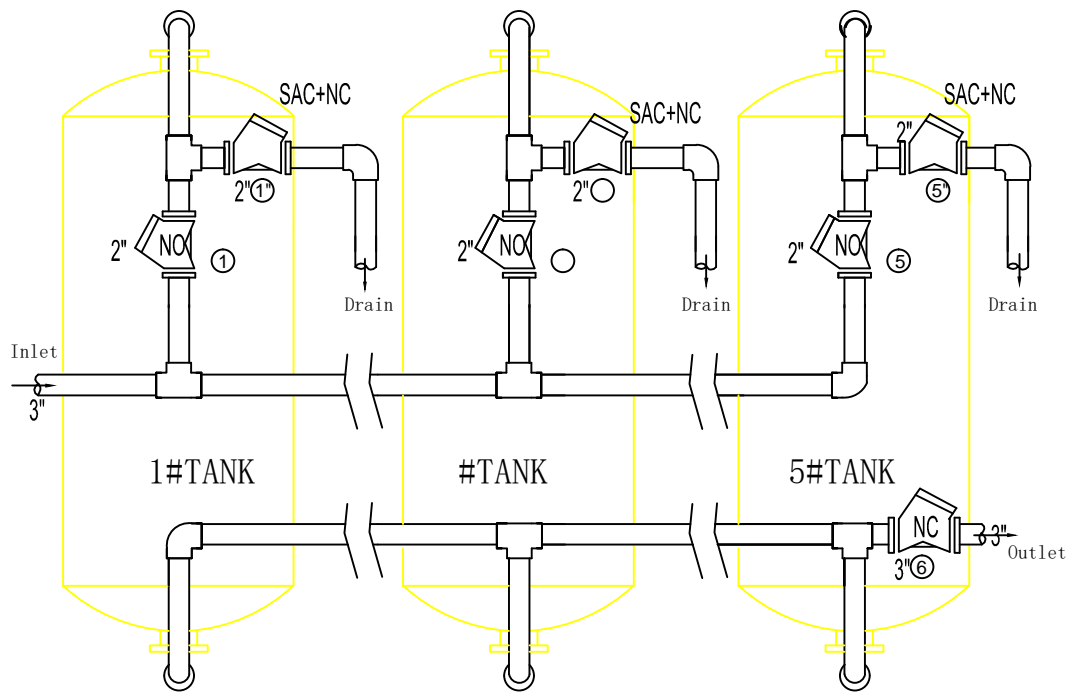


NOTCH	POS	Function	Valve Open
A	3	Service	1,2
B			
C	1	Backwash	3,4
D			
E			
F	2	Rinse	1,6

workmanship: 48-501
Filtration



RESPONS: Eric-Yang
REVISION: 03
UNITS:
DATE: 12/11/2015



turbine position	pressure position	function	open valve
A	6	Service	1.2.3.4.5.6
B	1	1#tank backwash	1".2.3.4.5
C	2	2#tank backwash	1.2".3.4.5
D	3	3#tank backwash	1.2.3".4.5
E	4	4#tank backwash	1.2.3.4".5
F	5	5#tank backwash	1.2.3.4.5"

Note: 3 tanks work in parallel, close hole of #5, #6;
4 tanks work in parallel, close hole of #6.

workmanship: 48-508
Filtration, 3/4/5 tanks



JKmatic

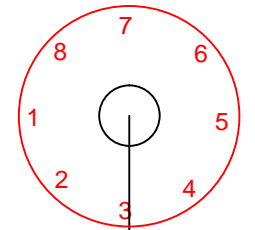
RESPONS: Eric

REVISION: 03

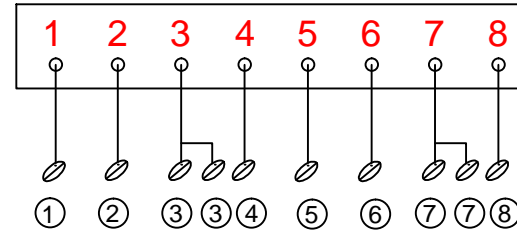
UNITS:

DATE: 09/28/2016

Pressure



Vent



NOTCH	POS	Function	Valve Open
A	5	A , B Service	1,2,5,6
B			
C	1	A Backwach B Service	5,6,7
D	2	A Rinse B Service	1,5,6,8
E			
F			
G	3	A Service B Backwach	1,2,3
H	4	A Service B Rinse	1,2,4,5

Note: Two tanks working together, backwash and rinse start sequentially

Workmanship: 51-527
Filtration, Twin-tank, backwash sequentially

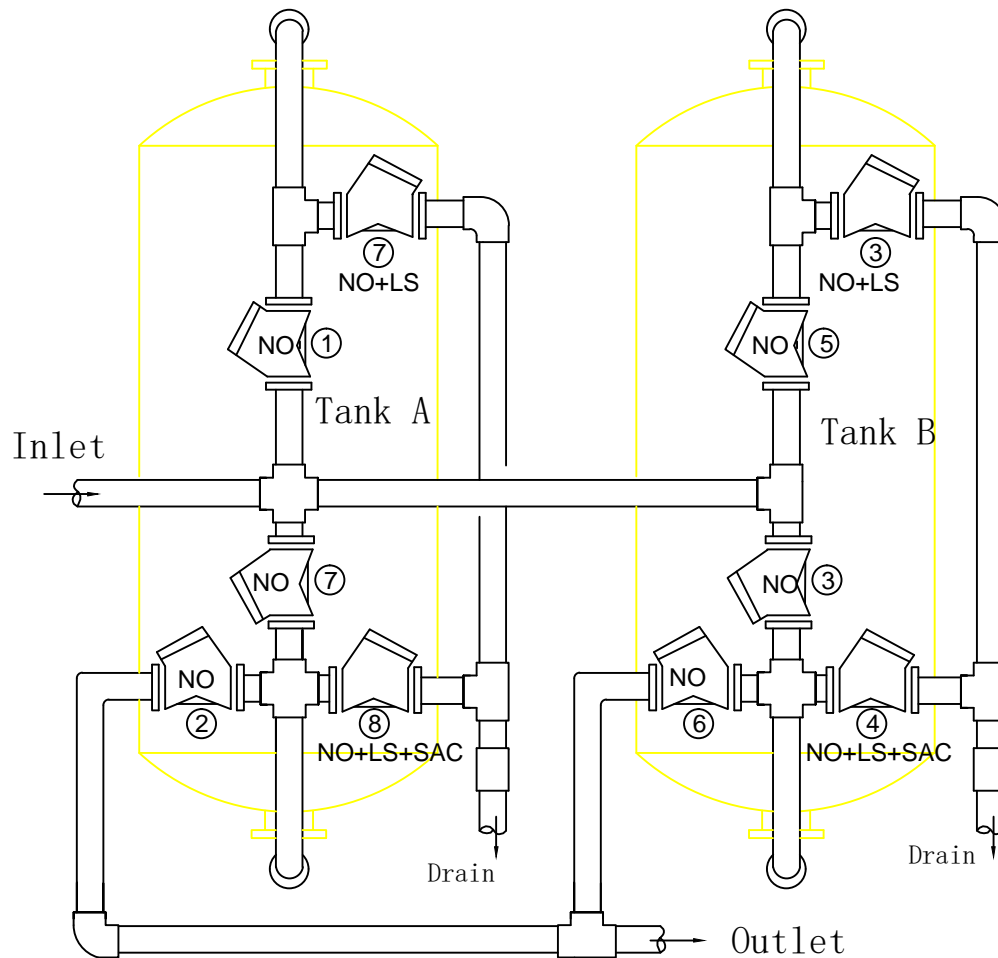


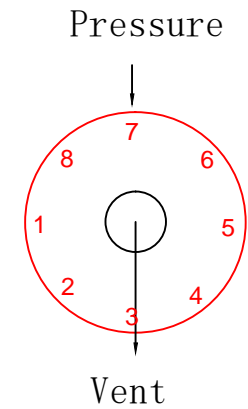
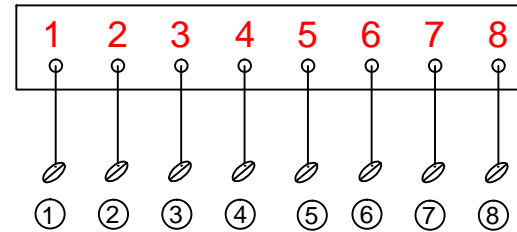
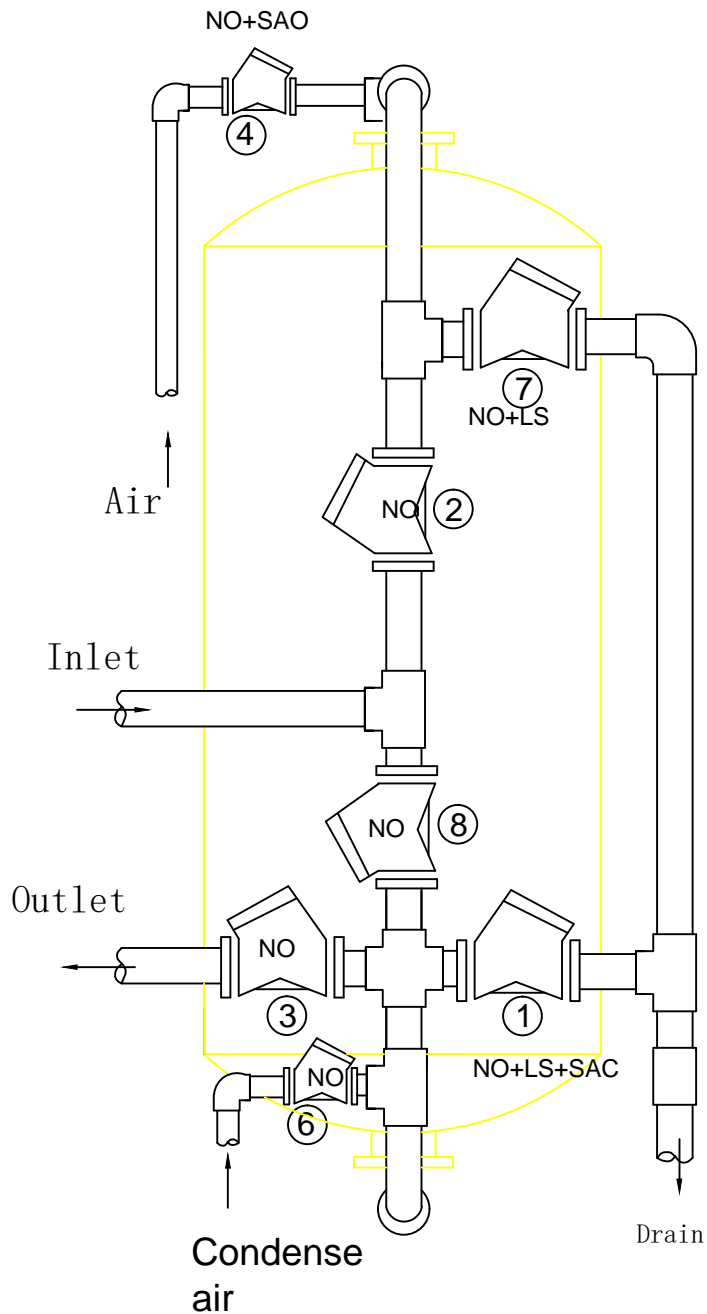
RESPONS: Eric-Yang

REVISION: 04

UNITS:

DATE: 09/26/2016





NOTCH	POS	Function	Valve Open
A	5	Service	2,3
B			
C	1	Drainage	1,4
D			
E	2	Air Purge	4,6,7
F	3	Backwach	4,7,8
G			
H	4	Rinse	1,2

* 4#: Spring-assist Open Diaphragm Valve

workmanship: 51-528
Filtration, Air-water purge



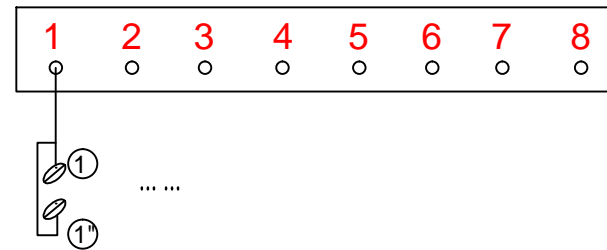
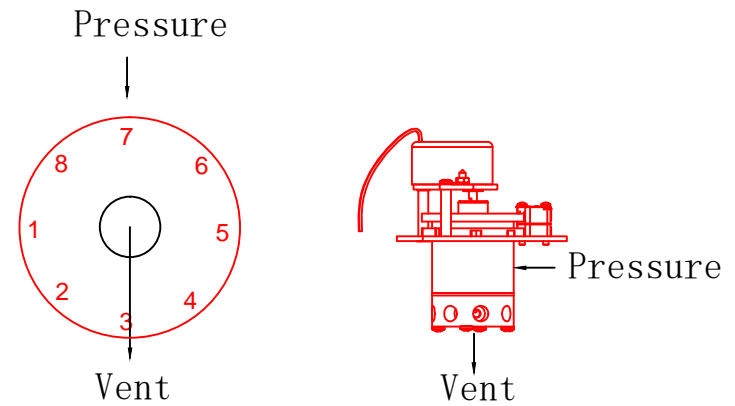
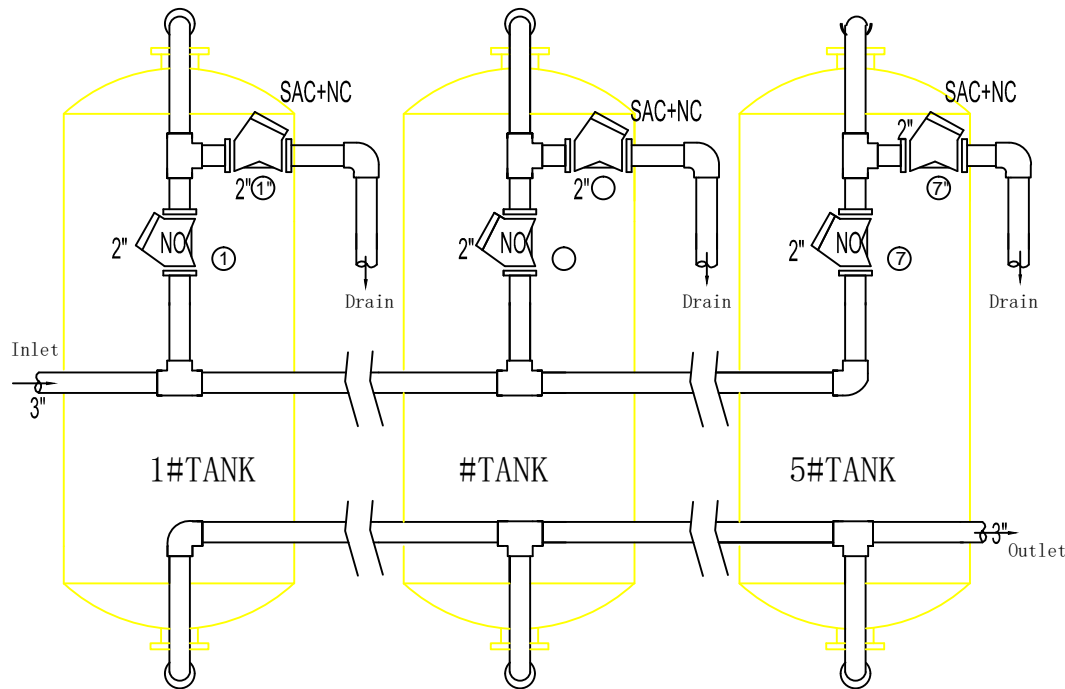
Jkomatic

RESPONS: Eric-Yang

REVISION: 04

UNITS:

DATE: 09/26/2016



turbine position	pressure position	function	open valve
A	8	Service	1.2.3.4.5.6.7
B	1	1#tank backwash	1".2.3.4.5.6.7
C	2	2#tank backwash	1.2".3.4.5.6.7
D	3	3#tank backwash	1.2.3".4.5.6.7
E	4	4#tank backwash	1.2.3.4".5.6.7
F	5	5#tank backwash	1.2.3.4.5".6.7
G	6	6#tank backwash	1.2.3.4.5.6".7
H	7	7#tank backwash	1.2.3.4.5.6.7"

Note: 6 tanks work in parallel, close hole of #7, #8;
7 tanks work in parallel, close hole of #8.

workmanship:51-531
Filtration,6/7tanks



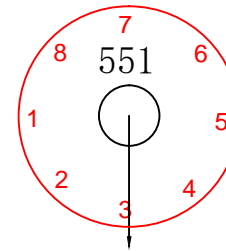
RESPONS: Eric

REVISION: 04

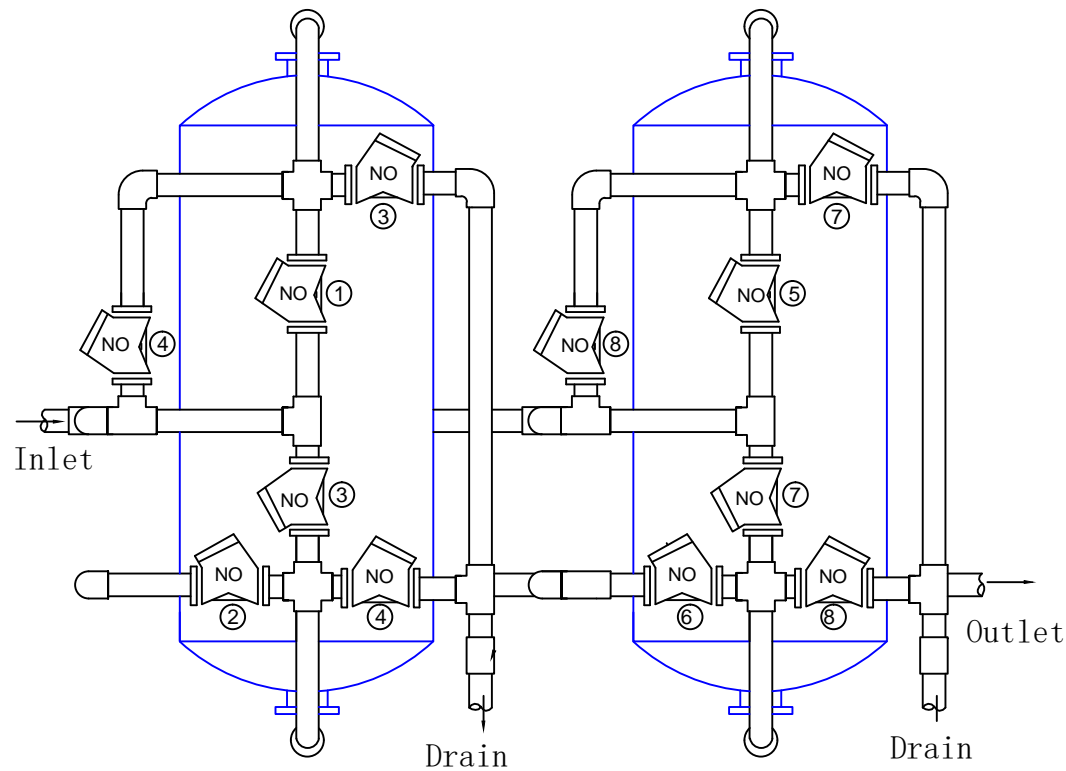
UNITS:

DATE: 09/28/2016

Control fluid:
↓ Air or Water



Drain



NOTCH	POS	FUNCTION	VENTING	OPENED VALVE
A	6	A Service B Stand By	1.2.5	1.2.5
B				
C	1	A Backwash B Service	3.5.6	3.5.6
D	2	A Rinse B Service	4.5.6	4.5.6
E	3	B Service A Stand By	1.5.6	1.5.6
F				
G	4	B Backwash A Service	1.2.7	1.2.7
H	5	B Rinse A Service	1.2.8	1.2.8

Note: With Rinse

Workmanship: 51-552
Filtration, one work one standby



Jkmatic

RESPONS: Eric-Yang

REVISION: 01

UNITS:

DATE: 03/07/2017