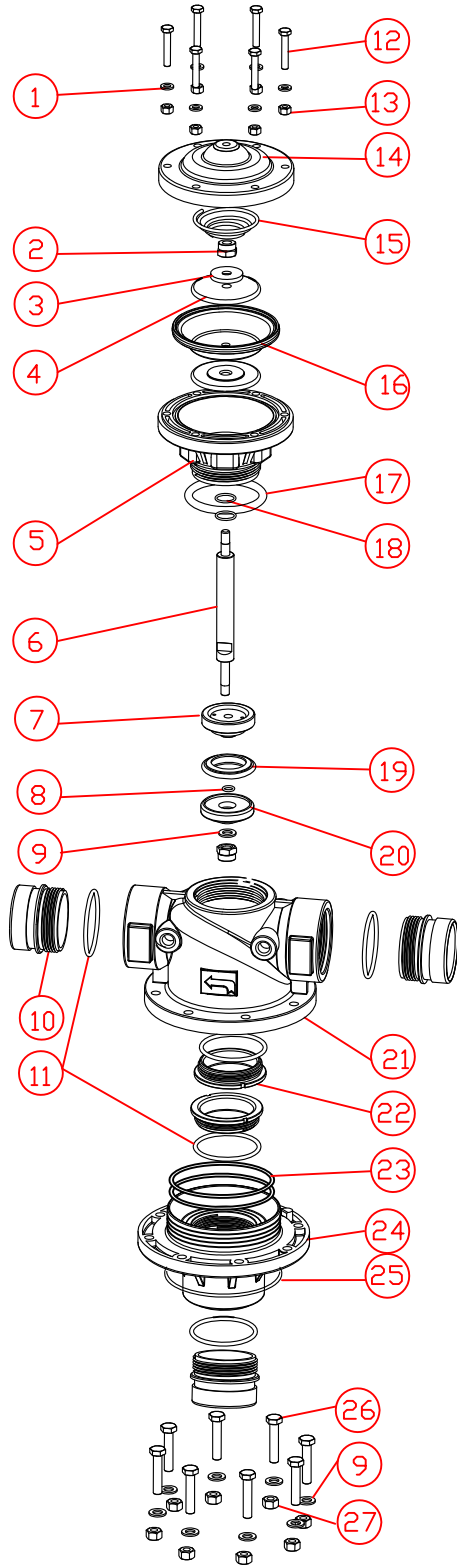


D

C

B

A



2 INCH BACKWASH VALVE (S
TYPE) EXPLODED DRAWING



REVISION	QUANTITY	WEIGHT	SCALE
----------	----------	--------	-------

05	/	/	/
----	---	---	---

UNREMARKED TOLERANCES	/	SHEET 1 OF 2	
MATERIAL GRADE	/	/	

NUMBERS	DESCRIPTION OF CHANGES	SIGNATURE	DATE

D

C

B

A

